



Sentinel 4.0t Hydraulic 2 Post Lift with base frame

SF 9206



Key Features

- Electro-hydraulic operation
- Asymmetric lifting arms
- Rapid lifting time
- Structural base frame
- Electronically controlled safety latches



Sentinel 4.0t Hydraulic 2 Post Lift with base frame

SF 9206

About SF 9026

The SF 9206 is mounted on a heavy duty steel base frame which ensures a stable lifting platform and the very low minimum lifting pad height of only 100mm ensures that even vehicles with low ground clearance can be accommodated on the lift. The new 2 stage lifting arm design makes loading the lift easier particularly for wider vehicles.

Minimum floor requirements for installation are a level 150mm thickness of C25 concrete. Power supply of 400V 3Ph via a 20 amp RIT fused isolator. 1 phase options available.

Part Numbers and Ordering Information

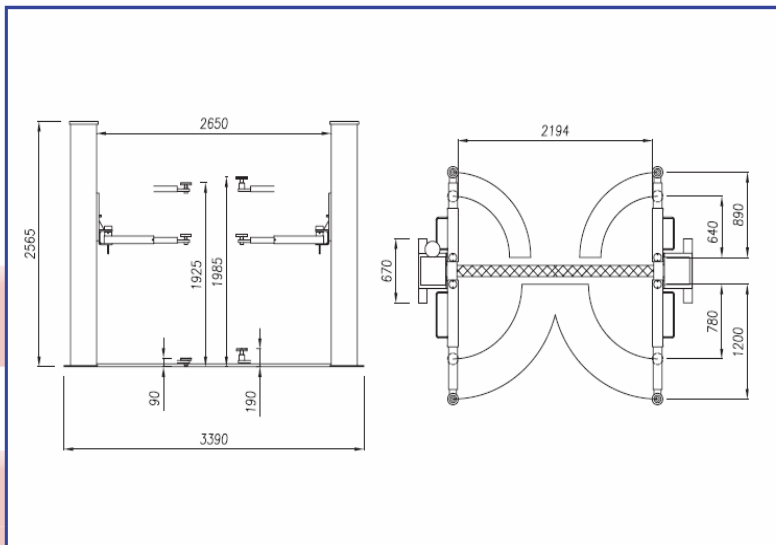
Description	Part No
Sentinel 4.0t 2 Post Hydraulic Lift 3Ph with base frame	SF 9206
Sentinel 4.0t 2 Post Hydraulic Lift 1Ph with base frame	SF 9206/1

Options & Accessories

Description	Part No
High Lift Pad Kit 20mm Set of 4	OA 60293

Technical Specifications & Dimensions

Pad Height Min	100mm
Raised Height	1800mm
Motor Supply	1.8kw
Drive Through Width	2551mm
Maximum Load	4000kg
Maximum Lifting Time	60 secs(3Ph)
	75 secs (1Ph)
Net Weight	820kg
Power Supply	400V 3Ph 50Hz
	230V 1Ph 50Hz



Compressor & Vehicle Lift Services Ltd

Tel: 024 76491973
Fax 024 76749655

Email: info@garageequipmentdirect.co.uk

www.garageequipmentdirect.co.uk