



AZUR 3.0 Tonne 2 Post Mechanical Lift

SF 9010



KEY FEATURES

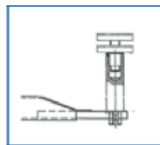
- Suitable for most passenger cars and car derived vans
- Automatic arm locking device
- Self lubricating nuts
- 5 year warranty on nuts
- Extremely low lifting height (90mm)
- Foot protection device fitted to lifting arms



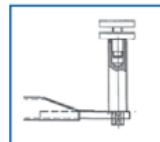
AZUR 3000kg CAPACITY 2 POST LIFT



High Lift Pad 20mm



High Lift Pad 100mm



High Lift Pad 170mm

INSTALLATION & APPLICATION

Suitable for use in most car workshops baseframe design allows for clear lifting of high bodied vehicles. Installation onto a 150mm thick, level, C25 Concrete slab. 400V 3Ph Power via minimum 16amp RIT fused isolator .



Adjustable lifting pad without extension



Adjustable lifting pad with 60mm extension (supplied with lift)

PART NO & ORDERING INFORMATION

Azur 3.0t 2 Post Mechanical Lift 3Ph
with baseframe

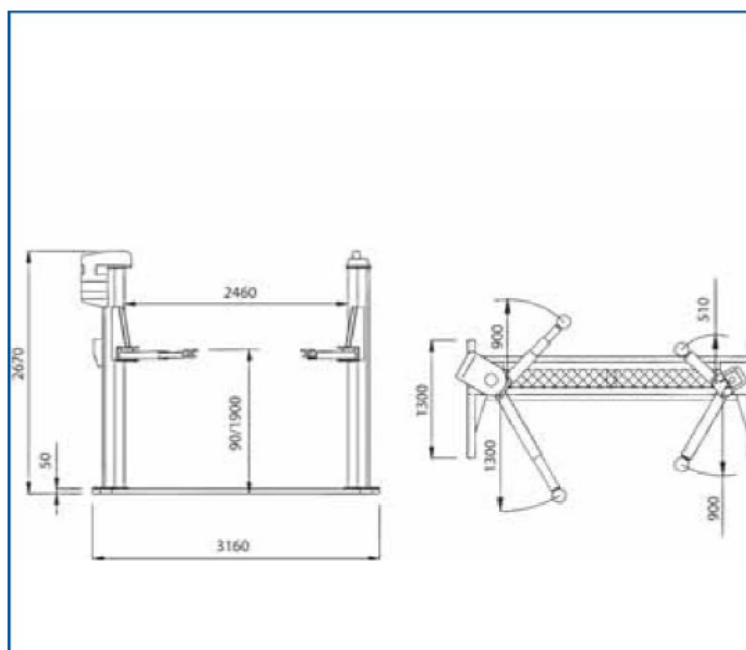
SF 9010

TECHNICAL SPECIFICATIONS & DIMENSIONS

Pad Height - min	90mm
Motor Supply	2.6Kw
Raised Height	2000mm
Passage Width	2200mm
Maximum Load	3000Kg
Lifting Height	2000mm
Maximum Lifting Time	55 secs
Net Weight	700Kg
Power Supply	400V, 3Ph
Gross Weight	750Kg
Fused Isolator Rating	20 amp
Shipping Specifications	2750 x 710 x 720mm

OPTIONS & ACCESSORIES

High Lift Pad Kit 20mm Extension Set of 4	OA 50740
High Lift Pad Kit 100mm Extension Set of 4	OA 50734
High Lift Pad Kit 170mm Extension Set of 4	OA 50735



Compressor & Vehicle Lift Services Ltd

Tel: 024 76491973
Fax 024 76749655

Email: info@garageequipmentdirect.co.uk